

MiTek TROLLEY RANGE



ADVANTAGES

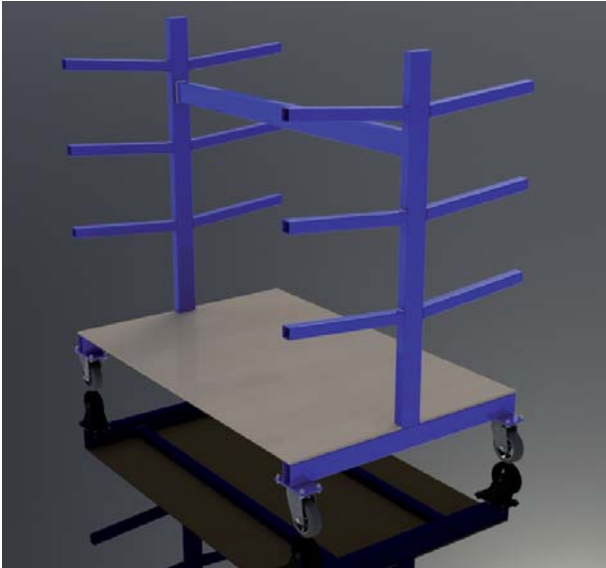
- *Robust construction with high quality Lemcol castors.*
- *Improves materials flow to workstations, increasing productivity.*
- *Wide range of applications.*
- *Improves workplace safety.*
- *Customisable to specific plant requirements.*

MiTek[®]
MiTek[®]

creating the **advantage**

MiTek TROLLEY RANGE

MiTek TREE TROLLEY



Description:

The MiTek Tree Trolley is a general purpose unit, designed for transportation and storage of truss components between the cutting and jiggging stations.

It is suitable for use on concrete floors and bitumen.

Specifications:

Dimensions (LxWxH):	1.93x1.2x1.8m
Capacity:	1000kg MAX (150kg per rack)
Wheels:	150mm Rubber (2 Rigid & 2 Swivel)
Weight:	106kg
First Shelf Height:	300mm
Second Shelf Height:	800mm
Third Shelf Height:	1200mm
Fourth Shelf Height:	1600mm
Timber Base:	12mm Ply
MiTek Part No.:	TR-001

MiTek DUAL STACK TROLLEY



Description:

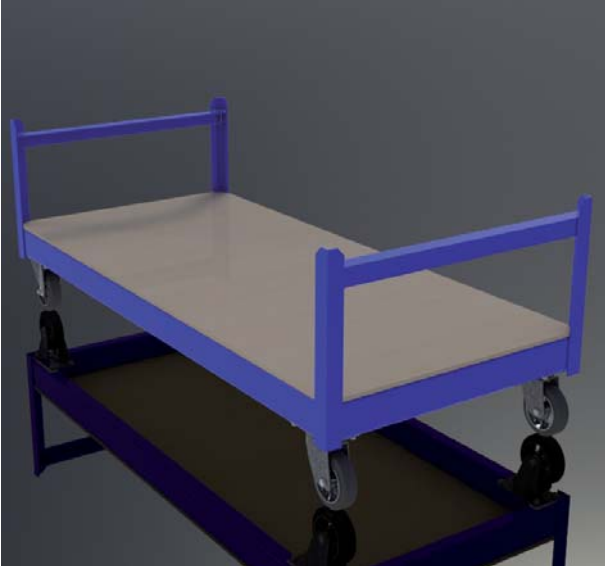
The MiTek Dual Stack Trolley is a general purpose unit, designed for transportation and storage of picked timber ready for the cutting station. A solid ply base supports short components.

It is suitable for use on concrete floors and bitumen.

Specifications:

Dimensions (LxWxH):	2.5x1.2x1.7m
Capacity:	1000kg MAX (300kg per quarter)
Wheels:	150mm Rubber (2 Rigid & 2 Swivel)
Weight:	113kg
First Shelf Height:	300mm
Second Shelf Height:	1100mm
Timber Base:	12mm Ply
MiTek Part No.:	TR-002

MiTek WEB TROLLEY



Description:

The MiTek Web Trolley is best suited to the transportation and storage of web components or components which are relatively short.

It is suitable for use on concrete floors and bitumen.

Specifications:

Dimensions (LxWxH):	1.85x1.25x0.8m
Capacity:	1000kg MAX
Wheels:	150mm Rubber (2 Rigid & 2 Swivel)
Weight:	57kg
First Shelf Height:	450mm
Second Shelf Height:	750mm
Timber Base:	12mm Ply
MiTek Part No.:	TR-003

MiTek TRI-TROLLEY



Description:

The MiTek Tri-Trolley is designed for the storage and transportation of packs of complete trusses. They are used as a set of three or more, one for the apex and two for each of the heel points. The pins on this unit are used to engage the truss and prevent it from slipping off the trolley, but are removable in case of interference with stacked trusses.

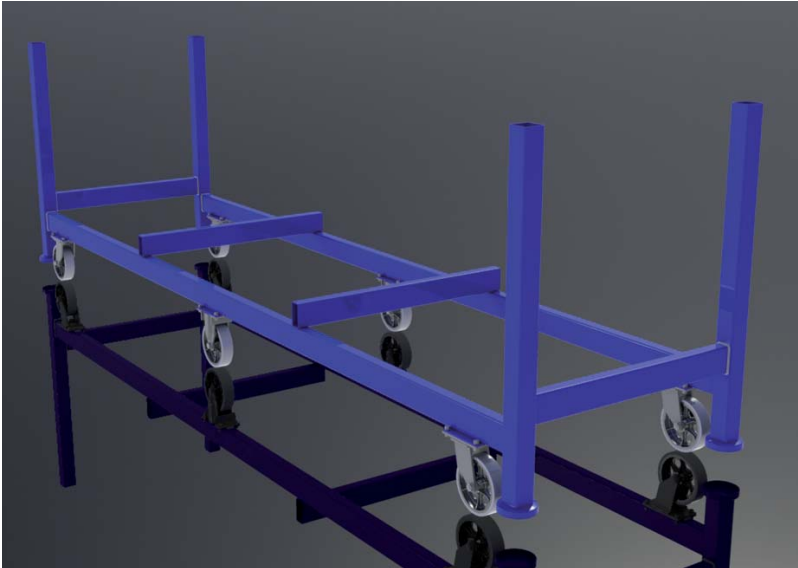
It is suitable for use on concrete floors and bitumen.

Specifications:

Dimensions (LxWxH):	0.5x0.5x0.15m
Capacity:	345kg MAX
Wheels:	75mm Cast Iron (3 Swivel)
Weight:	17kg
Load Height:	150mm
MiTek Part No.:	TR-004

MiTek TROLLEY RANGE

MiTek PACK TROLLEY



Description:

The MiTek Pack Trolley is designed for storage and transportation of packs of timber. The trolley will carry packs of timber up to 6m long and is designed to be stackable up to three units high.

It is suitable for use on concrete floors and bitumen.

This trolley is also available without the castors. Alternative wheel configurations are also available for permanent installations that require floor mounted steel tracks.

Specifications:

Dimensions (LxWxH): 4.2x1.05x1.1m

Capacity: 5000kg MAX
(Inc. Stacked Trolleys)

Wheels: 200mm Cast Iron
(2 Rigid & 4 Swivel)

Weight: 145kg

Load Height: 450mm

MiTek Part No.: TR-005

Note:

All of the trolleys in this brochure can be customised to suit your specific plant requirements. Please speak to your local MiTek office for further information.

MiTek Australia Ltd.

ABN 98 004 564 587
46 Monash Drive Dandenong Sth
Victoria 3175 Australia
Telephone 03 8795 8888
Facsimile 03 9702 9464
Web site www.mitek.com.au

New South Wales 02 8525 8000
Queensland 07 3268 1666
South Australia 08 8234 1326
Western Australia 08 6218 5945
New Zealand 09 274 7109
Malaysia 603 3176 7473



creating the **advantage**