

# GANG-NAIL®

## PosiBrace FOR TIMBER WALL BRACING

### APPLICATION

PosiBrace is a bracing system that incorporates PosiStrut metal webs and timber studs to form a braced panel.

PosiBrace panels are suitable for most timber framed houses, particularly where large wall openings preclude the use of large bracing panels.



### ADVANTAGES

PosiBrace panels may be prefabricated as standard units that can be placed in prefabricated wall frames, eliminating the expensive and time consuming nailing required for the fixing of plywood braced panels.

PosiBrace panels are an economical alternative to plywood braced panels where design does not allow conventional cross bracing to be used.

PosiBrace panels may also be used on small internal braced walls where plywood bracing is unsuitable.



creating the **advantage**

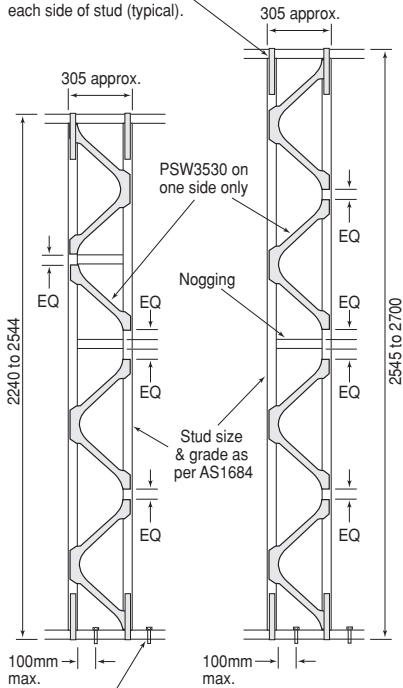
To find out more about MiTek's products & systems, call your local state office or visit our web site: [www.mitek.com.au](http://www.mitek.com.au)  
VIC (03) 8795 8888 NSW (02) 8525 8000 QLD (07) 3268 1666 SA (08) 8234 1326 WA (08) 9411 2845 NZ (09) 274 7109 MALAYSIA (603) 3176 7473

HOME OF GANG-NAIL BUILDING SYSTEMS

## PosiBrace FOR TIMBER WALL BRACING

### Bracing Unit - PosiBrace PB300

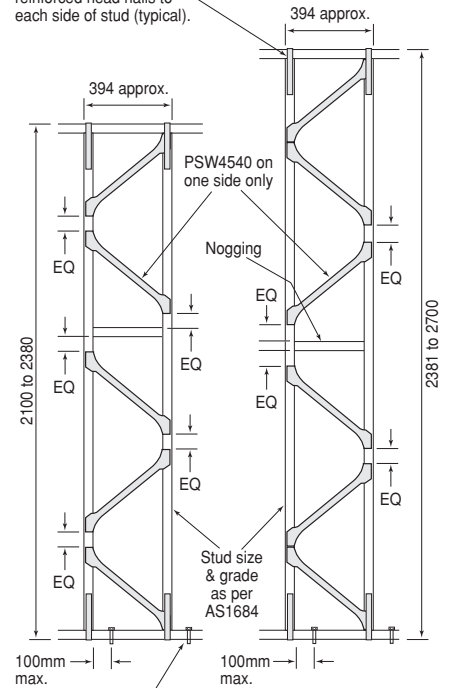
Plate Tie, Stud Strap or 30 x 0.8mm Tie Down Strap fixed with three 30 x 2.8 dia galvanized reinforced head nails to each side of stud (typical).



Fix bottom plate at each end of bracing panel with Titen HD THD37400H Anchor or equivalent to resist 2.7kN uplift (typical).

### Bracing Unit - PosiBrace PB400

Plate Tie, Stud Strap or 30 x 0.8mm Tie Down Strap fixed with three 30 x 2.8 dia galvanized reinforced head nails to each side of stud (typical).



Fix bottom plate at each end of bracing panel with Titen HD THD37400H Anchor or equivalent to resist 3.4kN uplift (typical).

### DESIGN BRACING FORCE

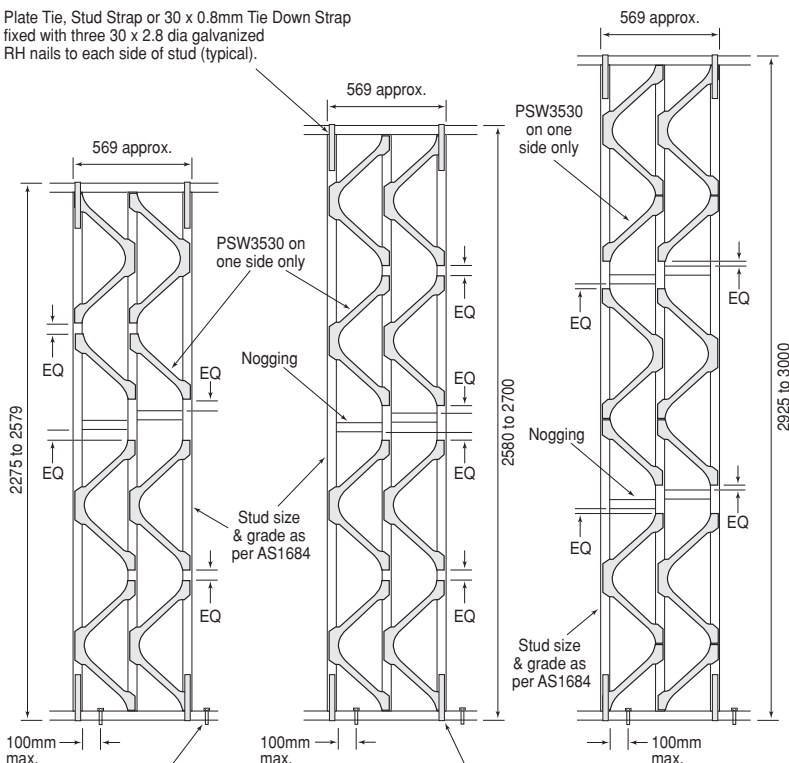
Table 1 shows the design bracing force for various widths of PosiBrace panels.

PosiBrace	Approx. Width (mm)	Design Bracing Force (kN)
PB300	305	0.3
PB400	394	0.5
PB600	569	1.5*
PB750	753	2.7

\*1.35kN for 3010mm wall height.

### Bracing Unit - PosiBrace PB600

Plate Tie, Stud Strap or 30 x 0.8mm Tie Down Strap fixed with three 30 x 2.8 dia galvanized RH nails to each side of stud (typical).

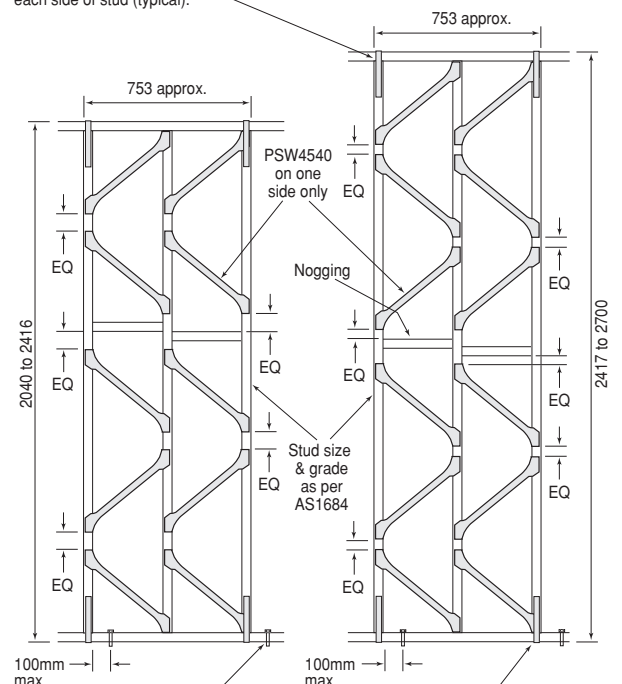


Fix bottom plate at each end of bracing panel with Titen HD THD37400H Anchor or equivalent to resist 7.1kN uplift (typical).

30 x 0.8mm Tie Down Strap fixed with six 30 x 2.8mm dia. galvanized RH nails to each side of stud for minimum joint group JD4. For JD5 joint group adopt seven nails (typical).

### Bracing Unit - PosiBrace PB750

Plate Tie, Stud Strap or 30 x 0.8mm Tie Down Strap fixed with three 30 x 2.8 dia galvanized reinforced head nails to each side of stud (typical).



Fix bottom plate at each end of bracing panel with Titen HD THD50600H Anchor or equivalent to resist 9.7kN uplift (typical).

30 x 0.8mm Tie Down Strap fixed with six 30 x 2.8mm dia. galvanized RH nails to each side of stud for minimum joint group of JD4. For JD5 joint group adopt seven nails (typical).