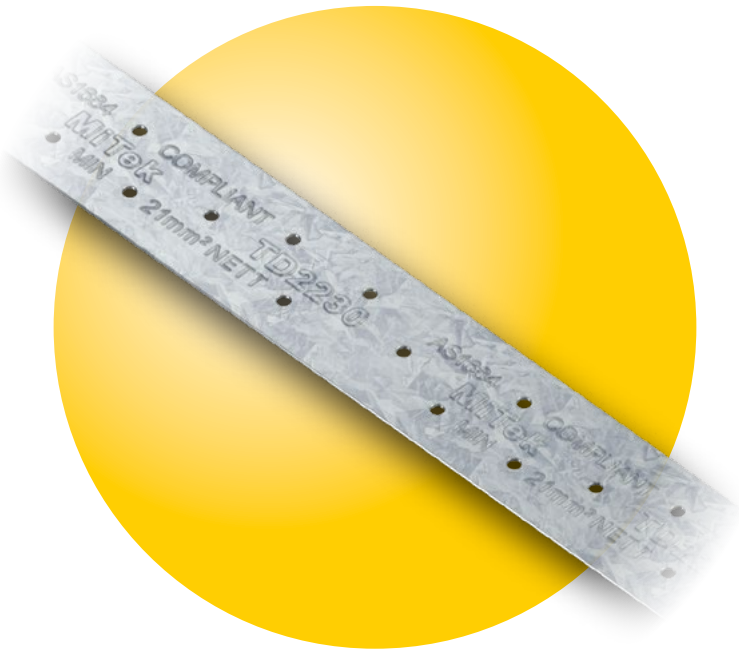


Structural TIE DOWN STRAP



creating the **advantage**



THE VERSATILE TIE DOWN SYSTEM

APPLICATION:

Structural TieDown Strap is suitable for use where tension loads are to be restrained between two overlaying members.

USES

- Structural TieDown Strap is a fast and effective method for joining timber wall plates to studs, timber rafters to wall plates and timber battens to rafters.

ADVANTAGES

- Easy to use.
- Versatile, can be cut to length for each application.
- Provides positive fixing against uplift.
- Economical.

SPECIFICATIONS:

Steel Grade	G300
Thickness (Total Coated)	0.8 mm
Galvanized Coating	Z275
Nails	MiTek 30 x 2.8mm galvanized reinforced head.
Product Code	See Table

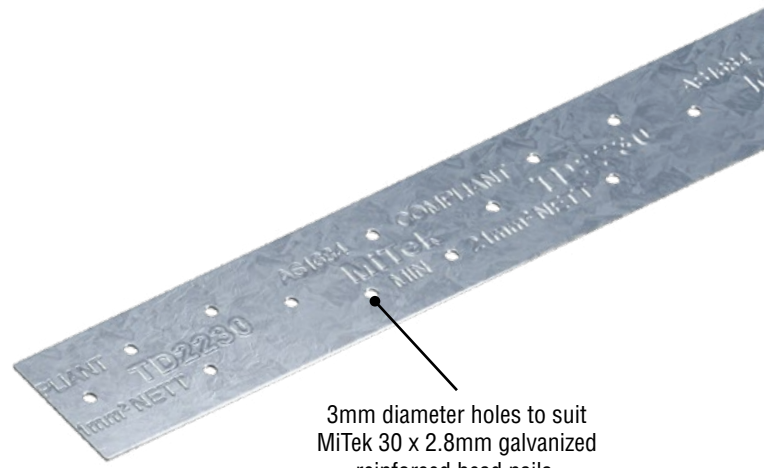
This Engineered Building Product complies with the National Construction Code Series and Australian Standards.

COMPLIANCE

AS1684 Residential Timber Framed Construction.

Fixing Type	Reference
A	AS1684.2 Table 9.17 (c), Table 9.25 (g)
	AS1684.3 Table 9.17 (c), Table 9.25 (g)
B	AS1684.2 Table 9.19 (d)
	AS1684.3 Table 9.19 (d)

Structural TieDown Strap has minimum net section of 21mm² to comply with the requirements of AS1684



3mm diameter holes to suit MiTek 30 x 2.8mm galvanized reinforced head nails.



Product Code:	Thickness:	Width:	Length
TD223030	0.8mm (22G)	30mm	30m

STRUCTURAL TIE DOWN STRAP - INSTALLATION

1. Structural TieDown Strap, to be effective, should be pulled tight before fixing the loose end. To minimise the number of nails required, and to develop the full design load of Structural TieDown Strap, ends should be wrapped around supporting members.

See Figure 1. In this case four MiTek 30 x 2.8mm galvanized reinforced head nails located as shown are required.

If the ends cannot be wrapped around supporting member, the number of MiTek nails required will depend on the load to be carried and the timber being used.

See Figure 2. In this case refer to AS1684 Residential Timber Framed Construction. As a guide, 10 MiTek nails each end are required to develop the full strength of Structural TieDown Strap under wind loading.

Figure 1. Fixing type A

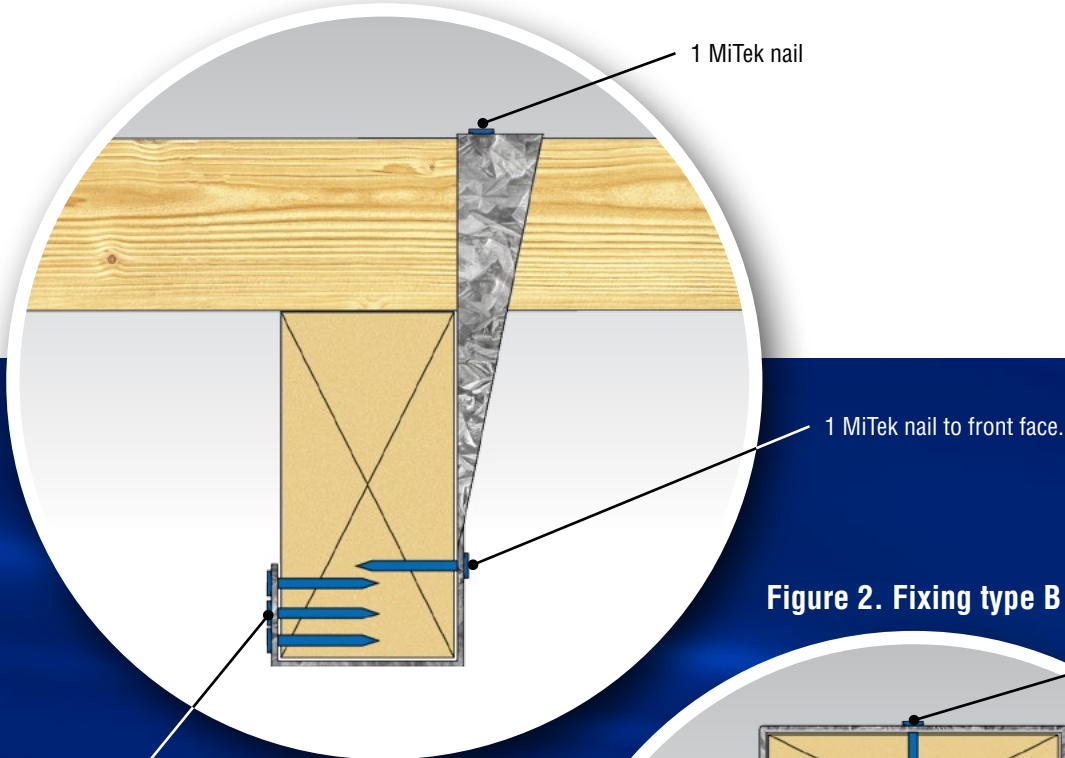
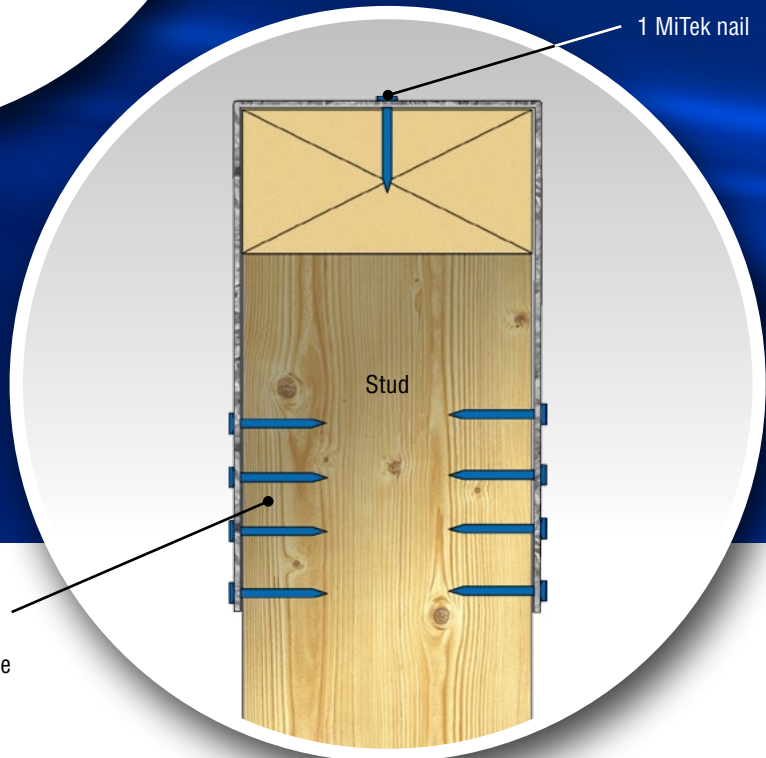


Figure 2. Fixing type B



For more information about MiTek's Engineered Building Products or any other MiTek products or your nearest licensed MiTek fabricator, please call your local state office or visit: mitek.com.au



TD 08/15

HOME OF GANG-NAIL BUILDING SYSTEMS

creating the **advantage**

VIC (03) 8795 8888 NSW (02) 8525 8000 QLD (07) 3861 2100 SA (08) 8234 1326 WA (08) 9412 3534 New Zealand (09) 274 7109