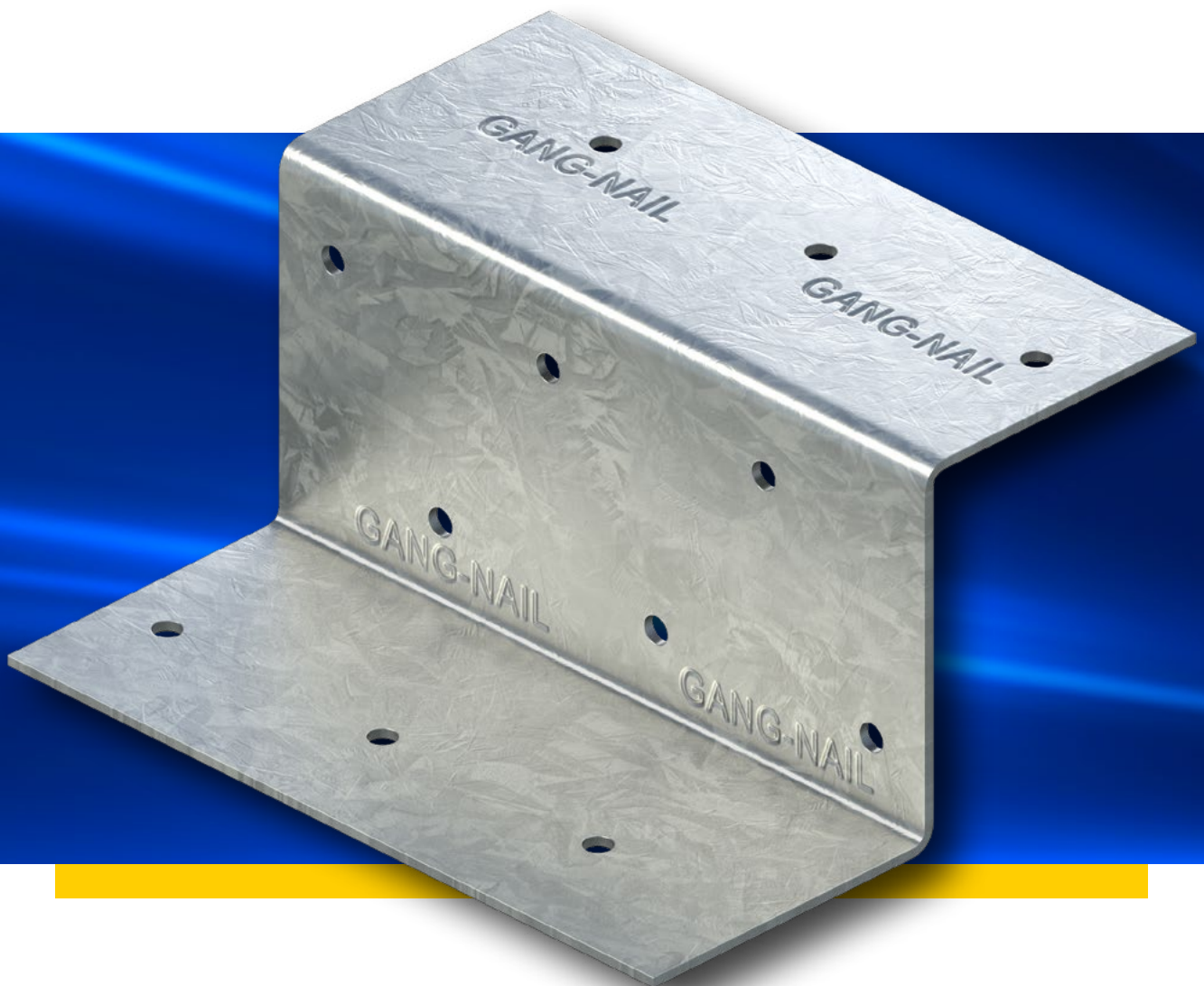
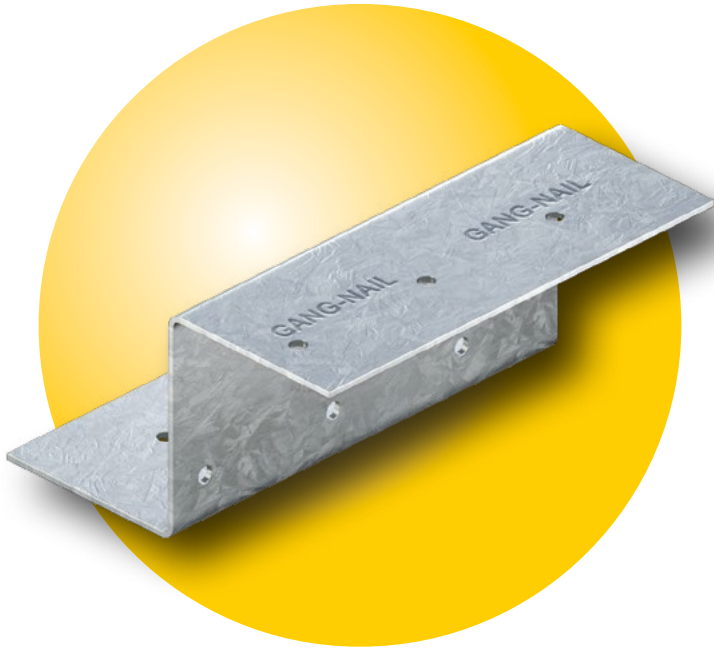


ZCLIP



creating the **advantage**



FOR FIXING POSISTRUTS, I-JOISTS AND FLOOR TRUSSES TO PARALLEL INTERNAL BRACING WALLS

APPLICATION:

The ZClip has been developed to connect trimmers or noggings between PosiStruts, I-Beams and timber floor trusses to internal bracing walls for the purpose of transferring lateral shear forces in a building as required by Residential Timber-Framed Construction Standards AS 1684.2 and AS 1684.3 Appendix J5 and AS 1684.4 clause 8.3.2.8.

USES

- ZClip quickly secures PosiStrut, I-Beam joists and floor trusses to parallel internal bracing walls.
- ZClip transfers lateral shear forces to internal bracing walls.

ADVANTAGES

- Fully meets requirements in AS 1684 Appendix J for building practices in engineered wood products.
- Fixing nails to the wide face of members prevents timber splitting.
- Fits all flange sizes.

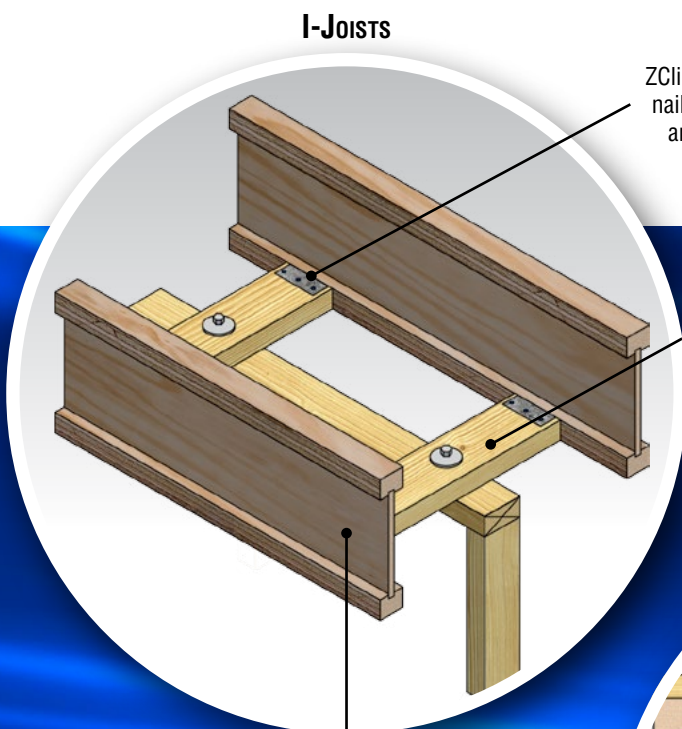
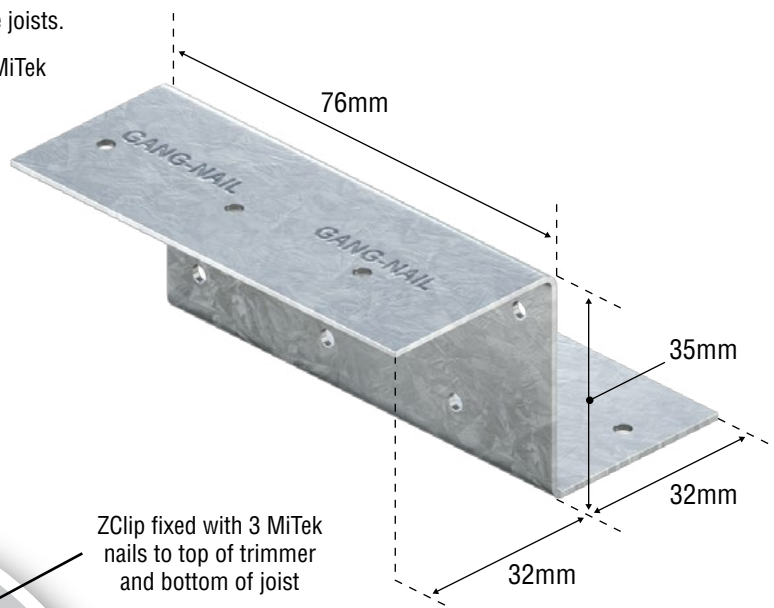
SPECIFICATIONS:

Steel Grade	G300
Thickness (Total Coated)	1.0mm
Galvanized Coating	Z275
Nails	MiTek 30 x 2.8mm hot dipped galvanized reinforced head
Product Code	ZC353

This Engineered Building Product complies with the National Construction Code Series and Australian Standards.

ZCLIP - INSTALLATION

1. Cut and fit a 90 x 35mm F8 or MGP12 trimmer over the internal bracing wall snugly between the bottom flanges of the joists.
2. Connect the ends to the joists with ZClips by fixing 3 MiTek nails each into joist and trimmer.
3. Connect to the internal bracing wall with an M12 bolt and washers, or 2/No.14 Type 17 screws (staggered to fit in 90mm wall only).

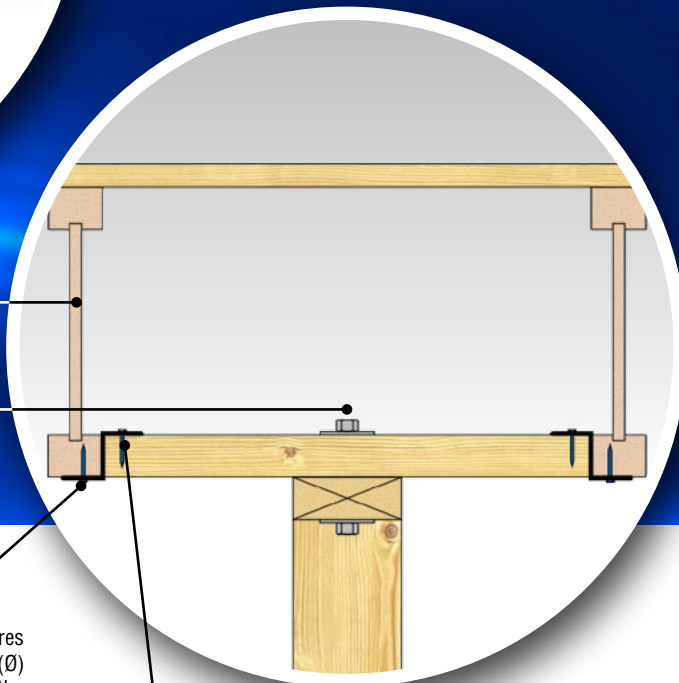


ZClip fixed with 3 MiTek nails to top of trimmer and bottom of joist

90 x 35 mm F8 or MGP12 trimmer

I-JOISTS

SECTION



Fix trimmer to top plate with 1 M12 bolt and washers or 2 No.14 Type 17 screws

3 MiTek nails

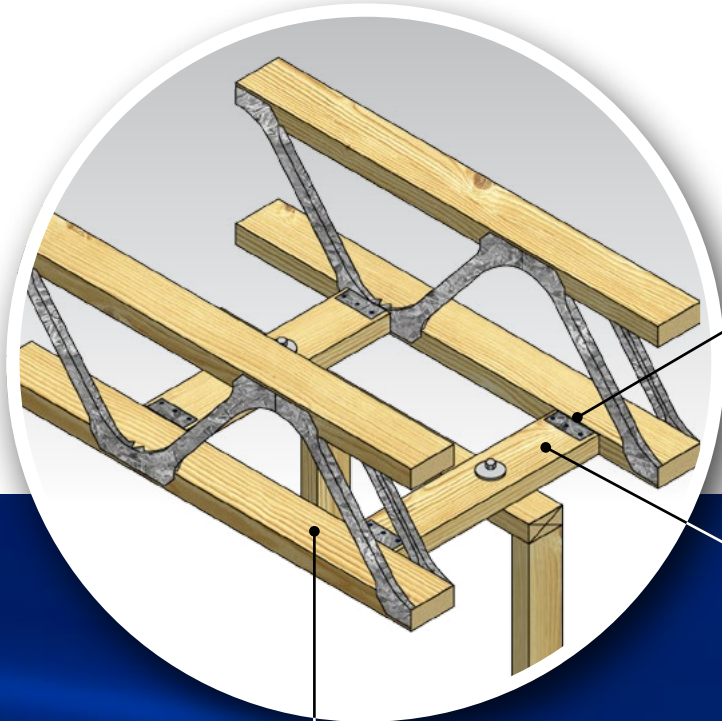
3 MiTek nails

The design capacities in the table have been calculated using procedures given in AS 1720.1 and incorporate the Category 1 capacity factor (ϕ) for houses. For other categories, multiply the design capacities by the following factors. Refer to AS 1720.1 for a full definition of each category.

Limit State Design Shear Capacity per pair of ZClips (kN)		
Joint Group of Joist/Top Plate	JD4	JD5
Bracing Shear	4.6	3.6

Category	1	2	3
Adjustment factor	1.00	0.94	0.88

FLOOR TRUSSES



ZClip fixed with 3 MiTek nails to top of trimmer and bottom of joist

90 x 35 mm F8 or MGP12 trimmer

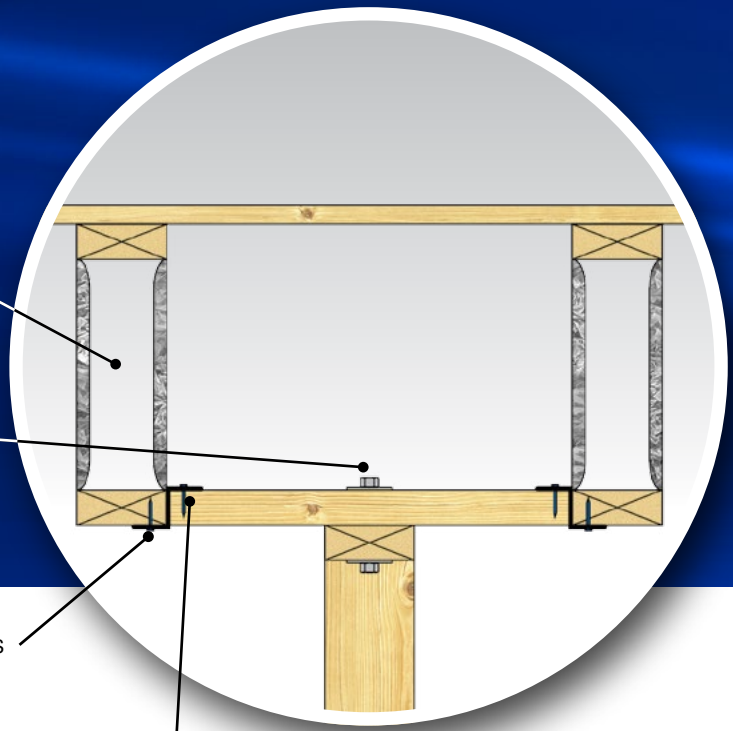
Floor/PosiStrut trusses

Fix trimmer to top plate with 1 M12 bolt and washers or 2 No.14 Type 17 screws

3 MiTek nails

3 MiTek nails

SECTION



For more information about MiTek's Engineered Building Products or any other MiTek products or your nearest licensed MiTek fabricator, please call your local state office or visit: mitek.com.au



ZC353 07/15

HOME OF GANG-NAIL BUILDING SYSTEMS

creating the **advantage**

VIC (03) 8795 8888 NSW (02) 8525 8000 QLD (07) 3861 2100 SA (08) 8234 1326 WA (08) 9412 3534 New Zealand (09) 274 7109